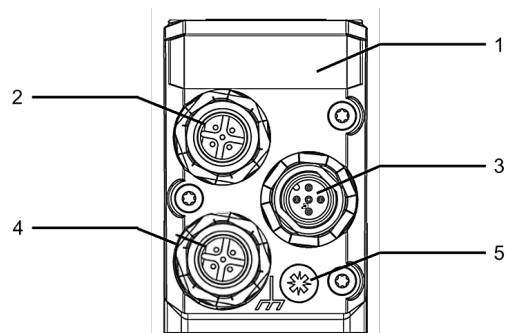


## Electrical connectors

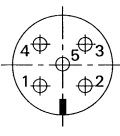
Description of electrical connectors for PSD4xx with Industrial Ethernet interface



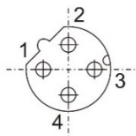
- 1 Sealing plug, transparent (for address switches, DIP-switches and LEDs)
- 2 M12-female connector for bus (D-coded)
- 3 M12- male connector for power supply (A-coded)
- 4 M12- female connector for bus (D-coded)
- 5 Grounding connection

## Pin assignment

### Connection for power supply

Connector diagram (External top view)	Assignment	Cable connectors
Connector (male): 	1. +24V motor 2. GND motor 3. +24V control unit 4. GND control unit 5. housing	M12; 5-pin (A-coded)

### Connection for bus

Connector diagram (External top view)	Assignment	Cable connectors
Connector (female): 	1. TD+ (WH/GN, white/green) 2. RD+ (WH/OG, white/orange) 3. TD- (GN, green) 4. RD- (OG, orange) 5.	M12; 4-pin (D-coded)

**Note:** Due to the use of 4-pin connectors, only 4-wire cables should be used.

## Optional accessories

Accessory		Order no
Connector for power supply + connector for bus (2x)		9601.0112